



MOD: PECC070AN

## 01 STRUCTURE

PAG 2 / 4

Pos	Code	Description
01	RKITPAN070EAXX	Easy neutral control panel
02	RKITPAN070EA	Easy control panel
03	RDCS0703600E	Easy door blue doorhandle
03	RDCS0703600EMG	Easy door grey doorhandle
03	RDCS0703800E	Easy door P2 doorhandle
03	RDCS0703900E	Easy door P3 doorhandle
04	RM11004	Magnetic door seal Easy-Plus
12	RM07056	Door opening sensor glass doors cabinets
14	RKITA0004	Kit software + digital controller TN Easy-Plus
20	RKITCERDXARMEAS	Right return spring Easy door
20	RKITCERSXARMEAS	Left return spring Easy cabinets door
21	RM13003	Castor with break Easy-Plus-Gold
22	RM13002	Castor without break Easy-Plus-Gold
23	RM13007	Adjustable stainless steel foot Easy-Plus-Gold
90	RM18502	Complete motor TN Easy-Plus-Gold cabinets

**SEDE LEGALE / SIÈGE SOCIAL / REGISTERED OFFICE**

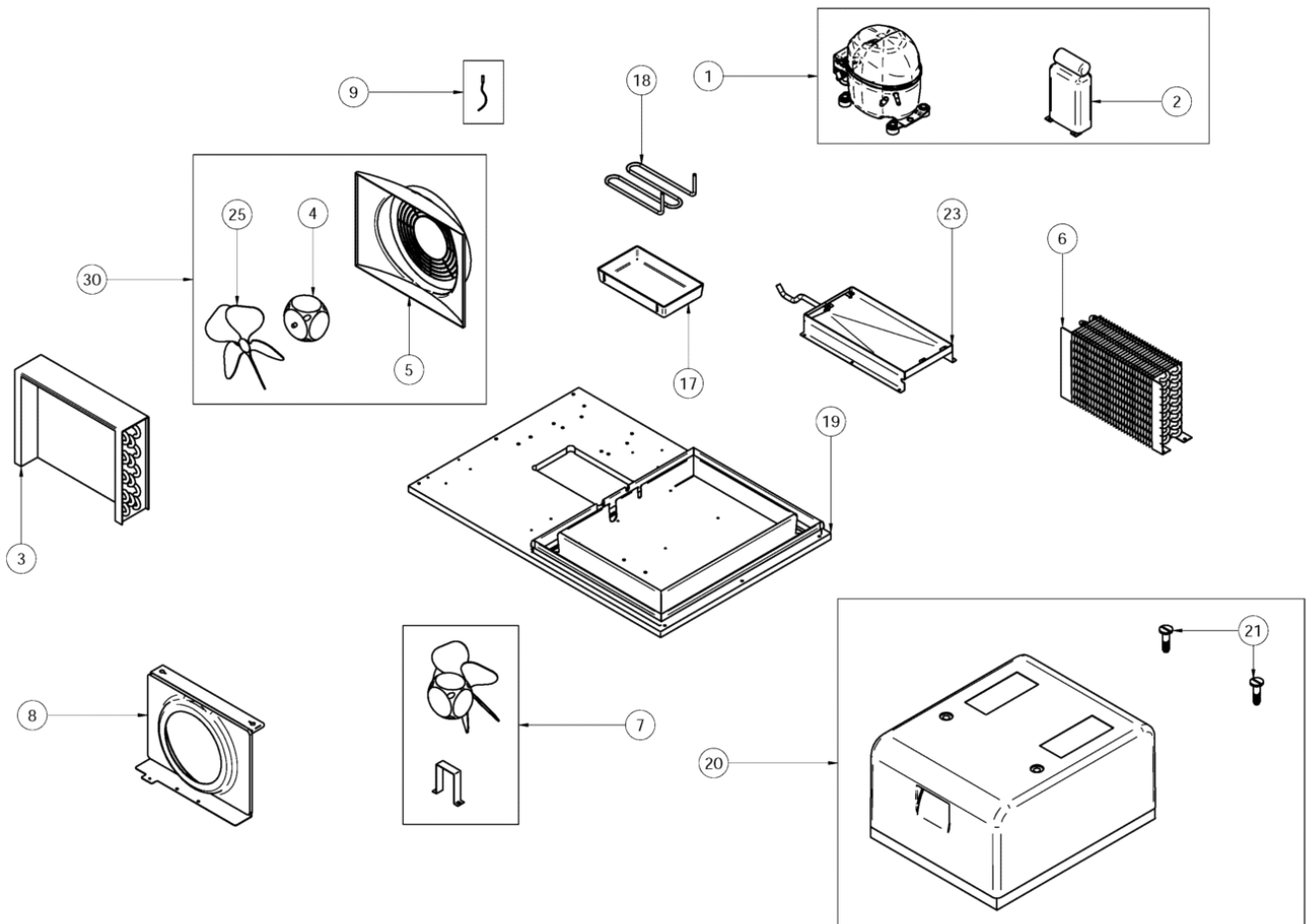
**Dal Santo Srl**

Via Sant'Anna, 38 - 31050 Fossalunga di Veduggio (TV) - Italy  
Cod. Fisc. - Reg. Impr. - Part. IVA **04207260268**  
R.E.A. **TV 331697**  
Cap. Soc. **€ 100.000,00 i.v.**  
Cod. SDI: **M5UXCR1**

**SEDE OPERATIVA / OPERATIONAL HEADQUARTERS / ETABLISSEMENT**

Via Fabio Filzi, 46  
31036 ISTRANA (TV) - Italy  
Tel. **+39 0422 832679**  
Fax **+39 0422 677043**  
Mail: **info@dal-mec.it**







MOD: PECC070AN

## 02 REFRIGERATOR UNIT COMPLETE

PAG 4 / 4

Pos	Code	Description
01	RM04051	Complete compressor
02	RKITELBOX04051	Compressor wiring box
03	RM08030	Codenser
04	RM08446	Condenser fan complete kit
05	RM05025	Protection crankcase for condenser fan
06	RM08814	Evaporator
07	RM08460	Evaporator fan kit + bracket
08	RKITVENTEVARM700	Evaporator fan holder
09	RKITSONDEAIREL	Complete probes kit
17	RM26002G	Tray for condense water
18	RM08AA0	Condense evaporating coil
19	RKITBASEARM700	Kit motor 700 crankcase
20	RKITCALARM700	Kit polystyrene cover for motor
21	RM12145	Fixing screws for motor cover (2 pcs.)
23	RDC0709005	Stainless steel tray for condense water
25	RM08600	Condenser fan
30	RM08453	Condenser fan complete kit

**SEDE LEGALE / SIÈGE SOCIAL / REGISTERED OFFICE**

**Dal Santo Srl**

Via Sant'Anna, 38 - 31050 Fossalunga di Veduggio (TV) - Italy  
Cod. Fisc. - Reg. Impr. - Part. IVA **04207260268**  
R.E.A. **TV 331697**  
Cap. Soc. **€ 100.000,00 i.v.**  
Cod. SDI: **M5UXCR1**

**SEDE OPERATIVA / OPERATIONAL HEADQUARTERS / ETABLISSEMENT**

Via Fabio Filzi, 46  
31036 ISTRANA (TV) - Italy  
Tel. **+39 0422 832679**  
Fax **+39 0422 677043**  
Mail: **info@dal-mec.it**

